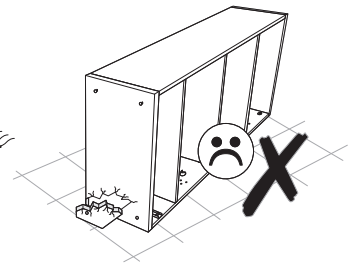
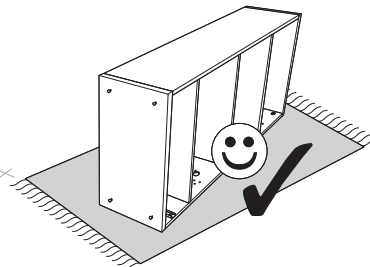
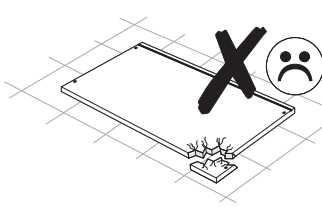
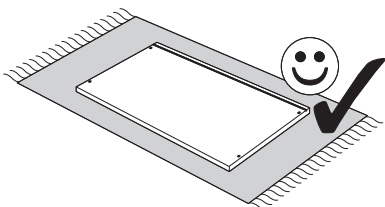
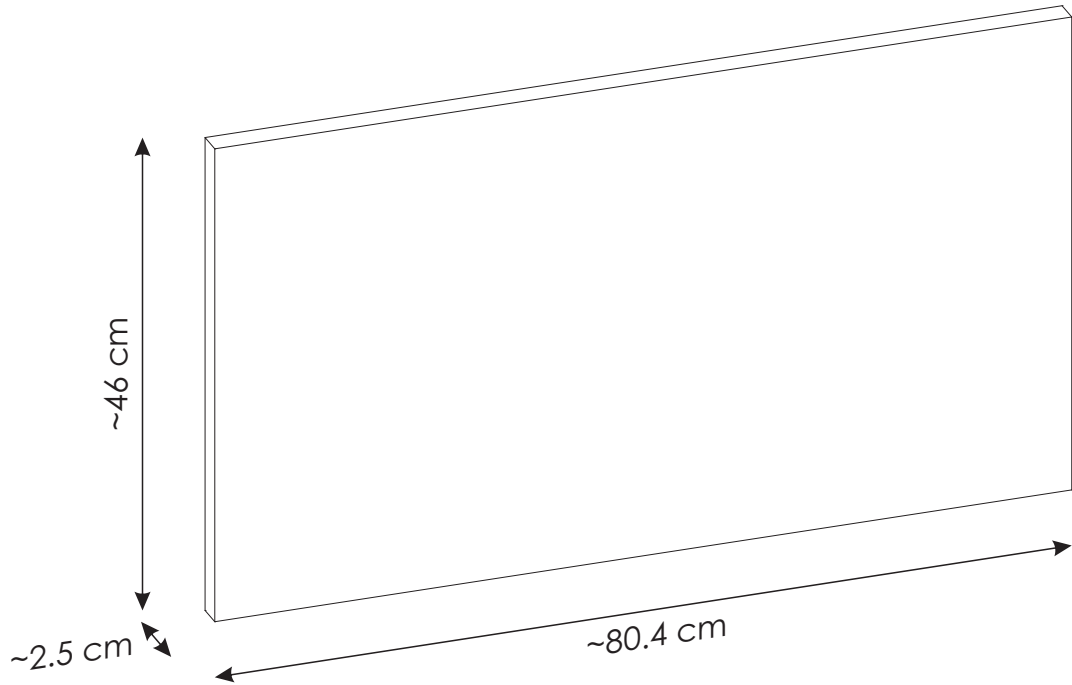
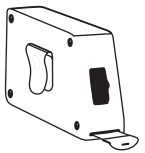
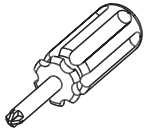
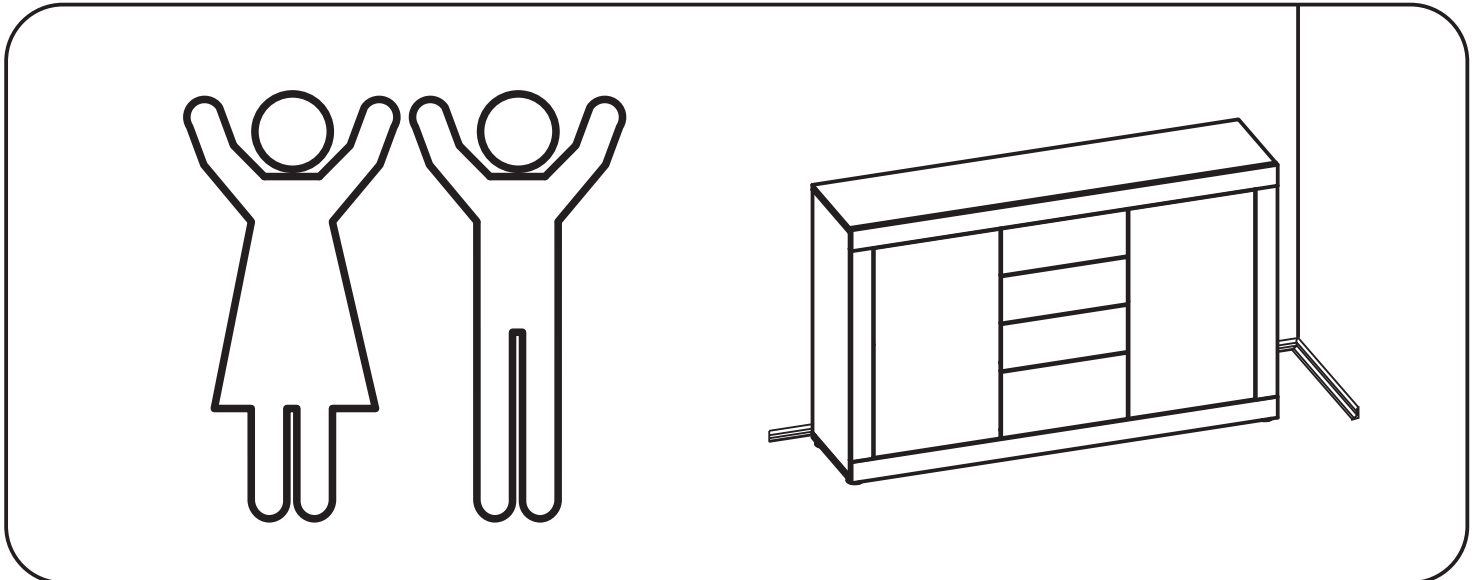
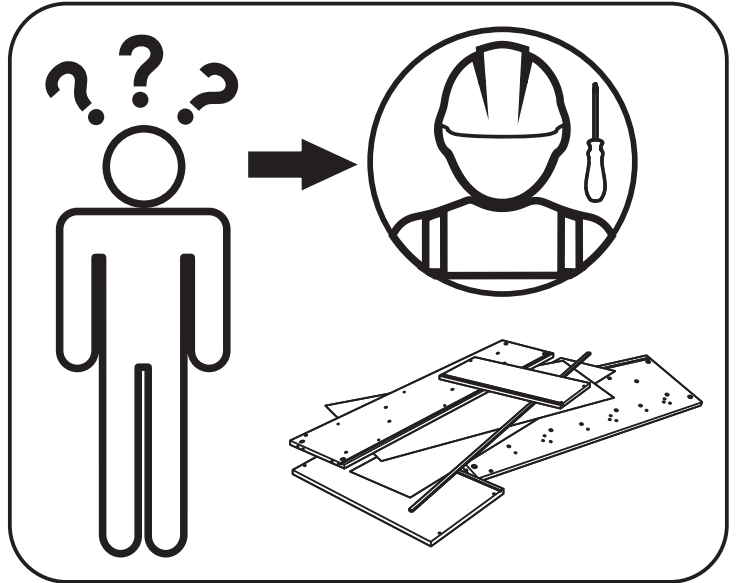
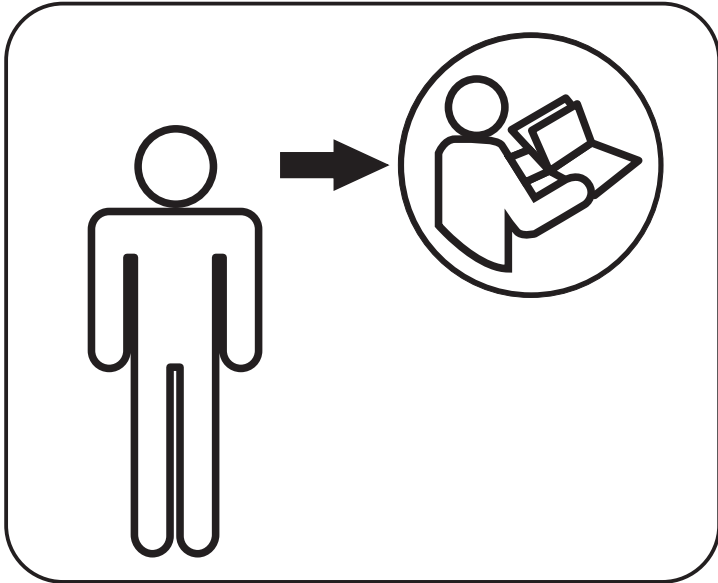
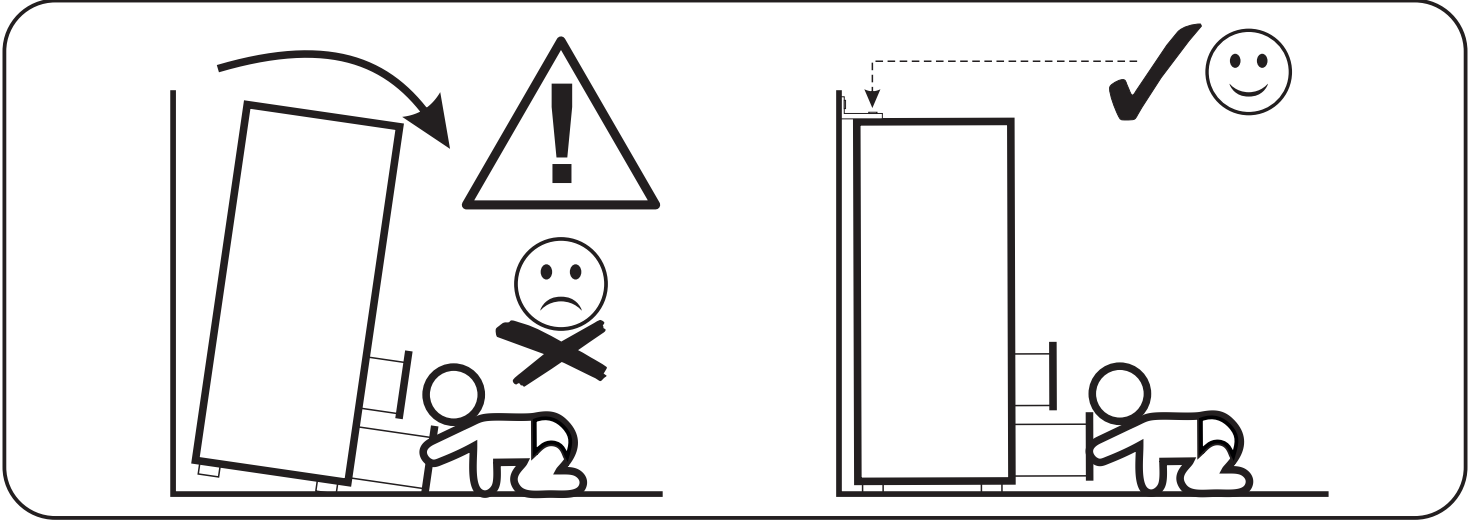
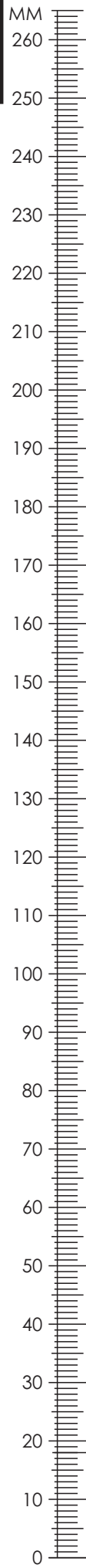



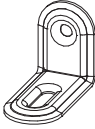
SANTA FE 89-80

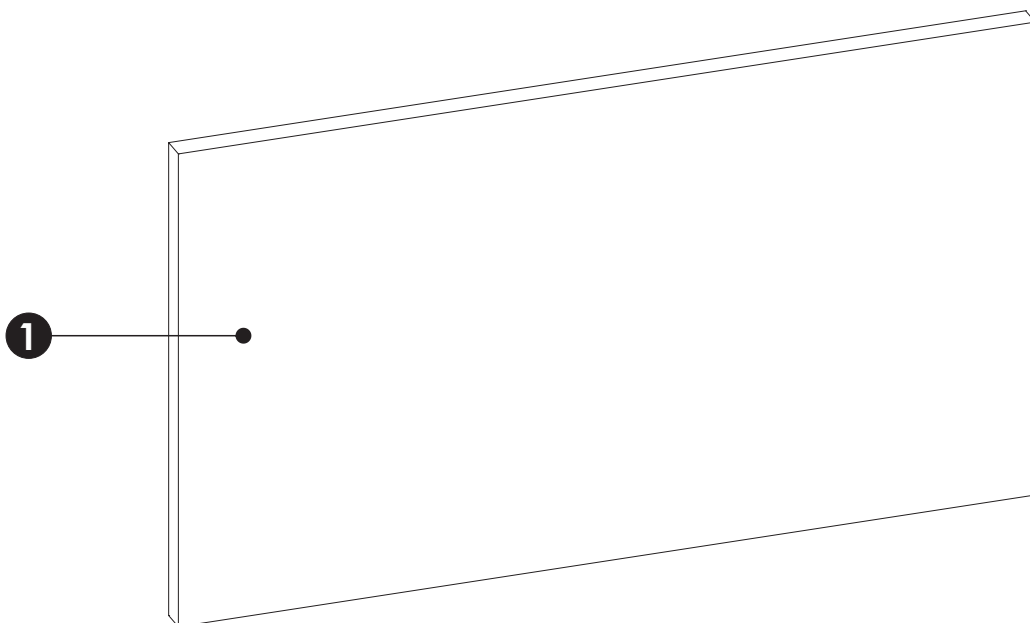




SANTA FE 89-80



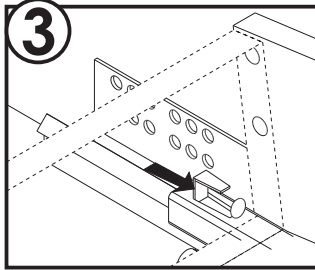
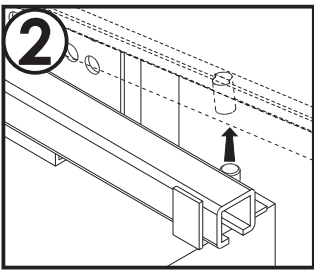
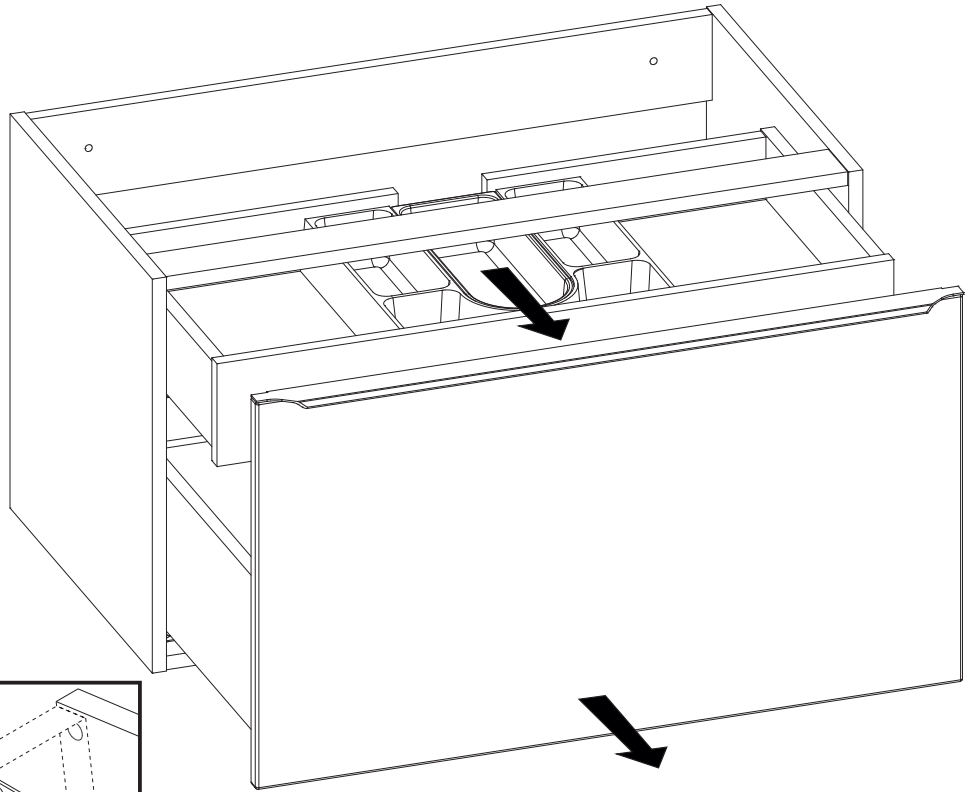
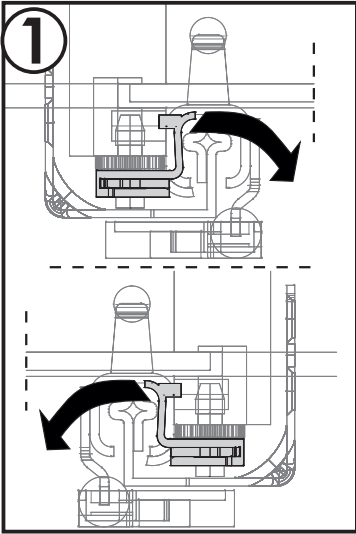
N5	3,5 x 16 mm	x12	Q8	x6
				



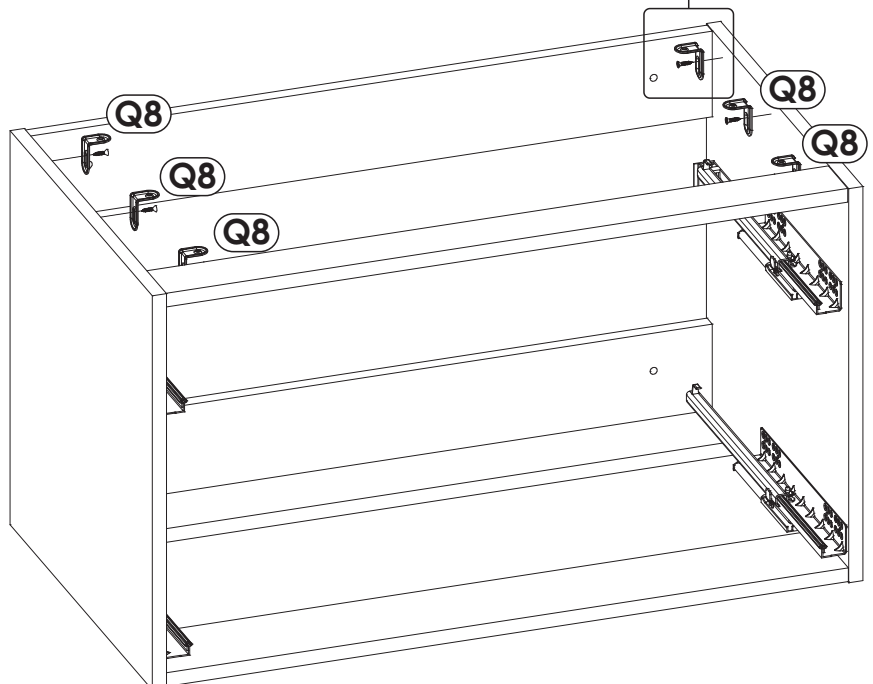
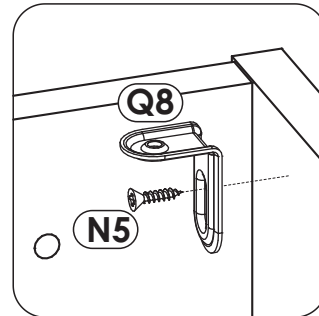
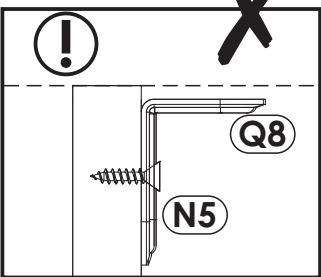
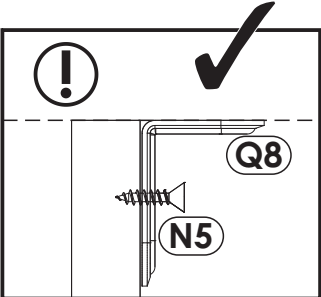
1	804	460	25	x1	1/1
----------	-----	-----	----	----	-----

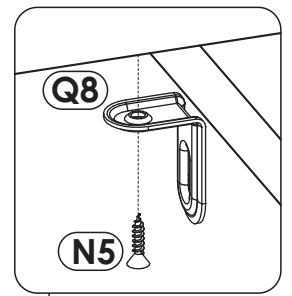
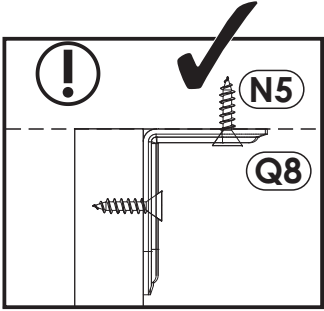
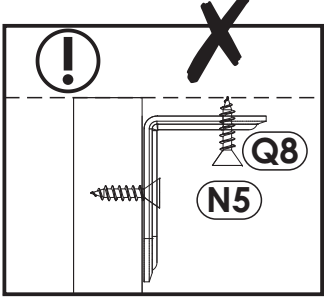
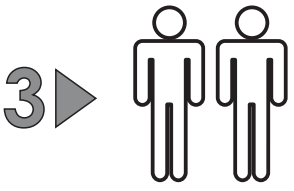


1 ▶



2 ▶





x6

